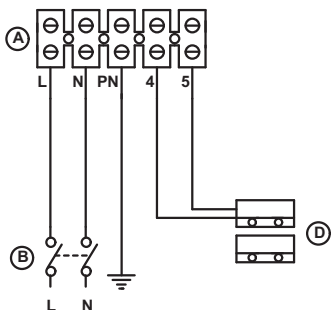


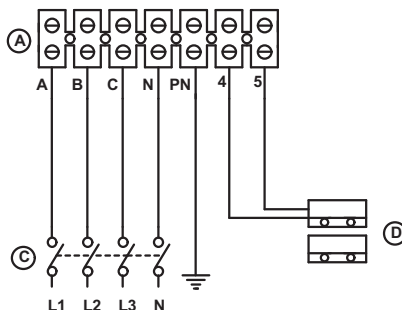


## AIR DOOR H

### AIR DOOR H AD900 M



### AIR DOOR H AD900 T - AIR DOOR H AD1200 T AIR DOOR H AD1500 T



- (A) *Morsettiere*  
*Terminal block*
- (B) *Interruttore bipolare*  
*2 pole switch*
- (C) *Interruttore tripolare + neutro*  
*3 pole switch + neutral*
- (D) *Sensore di apertura/chiusura porta*  
*opening / closing door sensor*

COD. 5.471.084.628

27/02/2017

VORTICE LIMITED  
Beeches House - Eastern Avenue  
Burton on Trent  
DE13 0BB  
Tel. (+44) 1283-492949  
Fax (+44) 1283-544121  
UNITED KINGDOM

VORTICE FRANCE  
72 Rue Baratte-Cholet  
94106 Saint Maur Cedex  
Tel. (+33) 1-55.12.50.00  
Fax (+33) 1-55.12.50.01  
FRANCE

VORTICE ELETTROSOCIALI S.p.A.  
Strada Cerca, 2 - frazione di Zoate  
20067 TRIBIANO (MI)  
Tel. (+39) 02-90.69.91  
Fax (+39) 02-90.64.625  
ITALIA